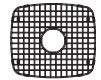
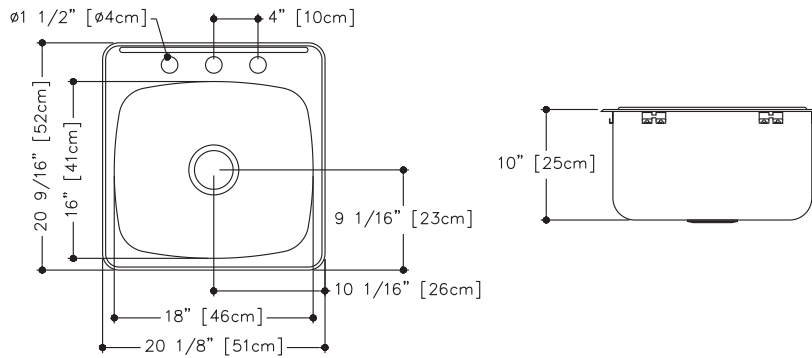




Optional Accessories



BC110S



S2020/10ML SPECIFICATION

Model S2020/10ML is a single bowl laundry and utility ledgeback sink manufactured for Franke Consumer Products from 20 gauge stainless steel. Product has a bright mirror finished rim and radiant silk finished bowl. Sink is fully undercoated. Installation kit and template are included. Sink bowl has a 10.8 U.S. gallon (41 Litre) capacity. Sink is backed with a limited buyer lifetime warranty.

- O.D. 20 9/16" x 20 1/8" x 10" deep (52 x 51 x 25 cm)
- **Recommended for minimum 24" base cabinet**

S2020/10ML/1 FUN# 113.0045.316

S2020/10ML/3 FUN# 113.0045.317